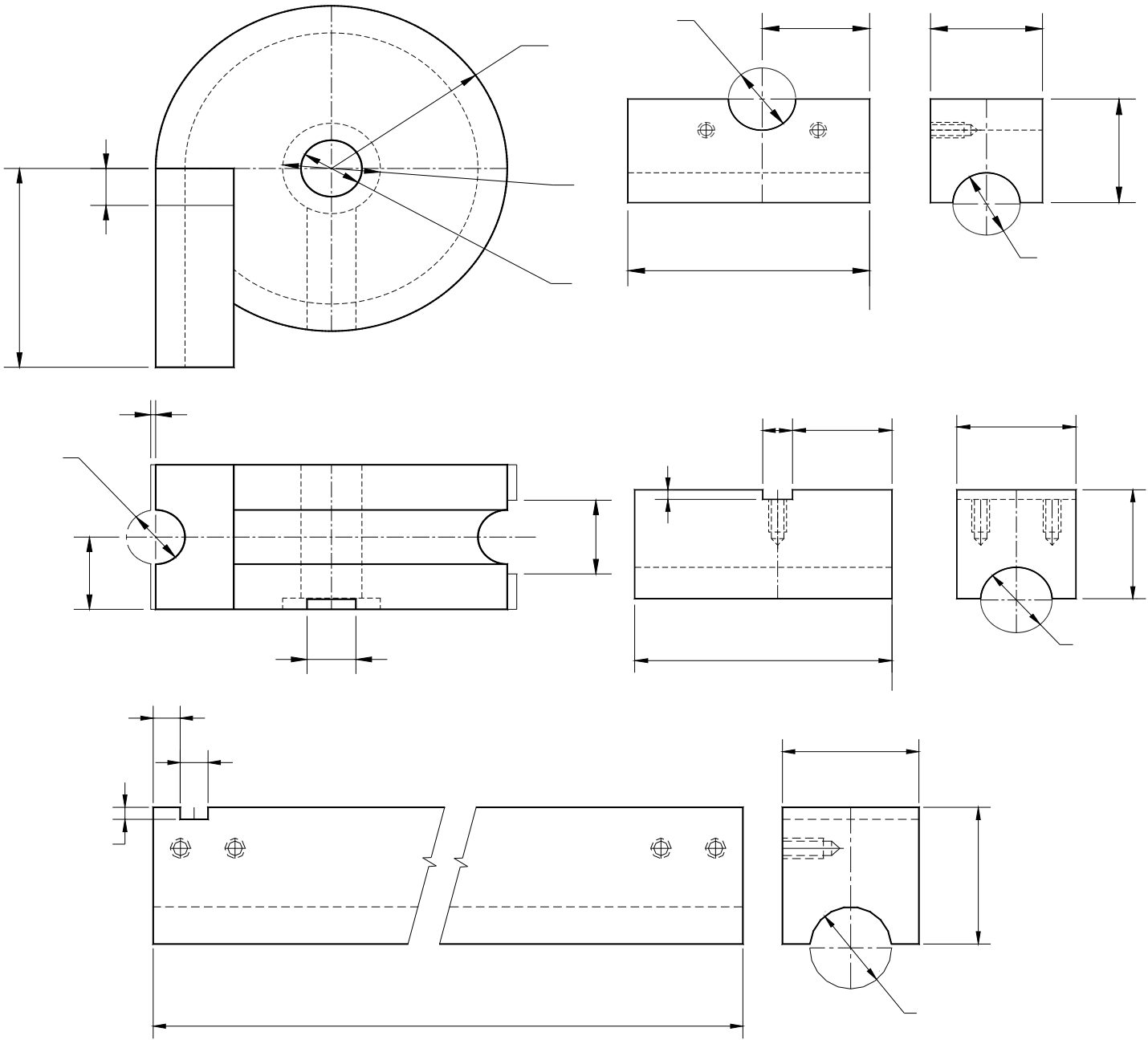


CUSTOMER NAME _____

MACHINE MODEL _____



NOTES