

OMNI-X

MANDREL ORDER FORM

2751 West Mansfield Ave., Englewood, CO 80110

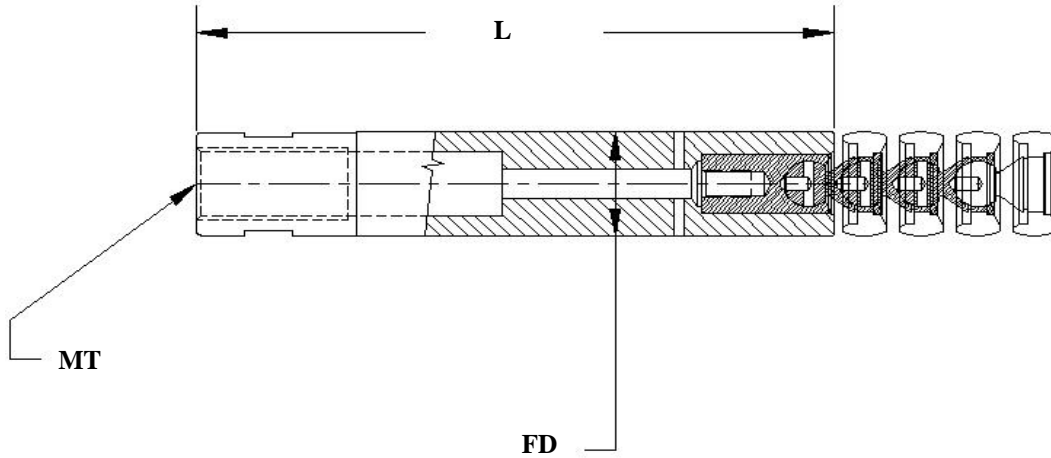
1-800-275-6664

FAX: 303-789-4755

Company Name _____

Purchase Order# _____

Job# _____



WHEN ORDERING MANDREL, PLEASE SPECIFY:

Mountings: Thread (MT) _____
Finish diameter of mandrel (FD) _____
Number of balls on mandrel _____
Length of shank (L) _____

TUBE INFORMATION:

Outside Diameter (OD) _____
Wall (Wall) _____
Material of tube (Mat) _____

OMIT WHEN ORDERING COMPLETE SETS OF TOOLING, ITEMS ALSO FOUND ON BEND DIE ORDER FORM

Make and Model of Bending Machine _____
Serial # of Bending Machine _____
Center Line Radius (CLR) _____